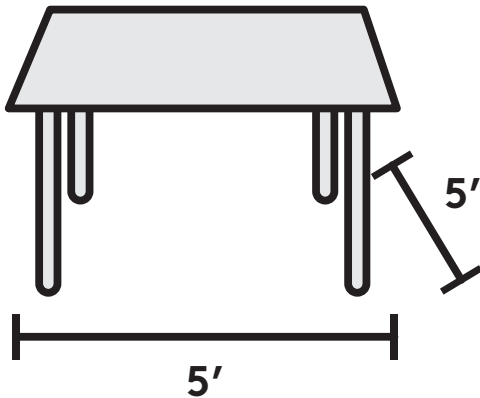


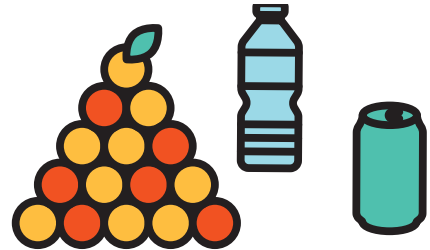
# HEALTH PERMIT EXEMPTION

You don't need a health permit if:

Your space is 25 sq. ft.  
or less



AND

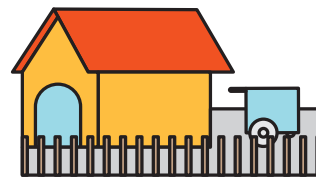


You sell food that has already been packaged at a store or an approved facility (which does not need to be heated or refrigerated) as well as whole fruits and veggies

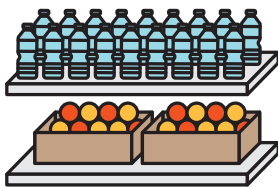
## Keep in mind:



You can store exempt food at home and transport that food in a vehicle to your vending location. You are not able to store food in your car to restock more food.



If you are exempt from getting a health permit you can also store your compact mobile food operation at home without having to do an inspection or getting a separate permit.



Food must be kept off the ground and stored inside the home and kept free from potential contamination from safe from dirt, pests, and other hazards.



Health inspectors may inspect your home if they suspect you are operating out of compliance. Violations of rules may result in fines or inspection fees.